



ELMEC International - Product Catalog

# ORTHOPEDIC INSTRUMENTS



ELMEC INTERNATIONAL

# ELMEC INTERNATIONAL

[info@elmecisb.com](mailto:info@elmecisb.com)

[www.elmecisb.com](http://www.elmecisb.com)

ELMEC International  
All Kinds Of Orthopedic Instruments

Railway Crossing Mubarak Pura Sialkot Pakistan  
Tell: +92-52-3550965

Email: [info@elmecisb.com](mailto:info@elmecisb.com)  
Web: [www.elmecisb.com](http://www.elmecisb.com)



## Table of Contents

Orthopedic Instruments > Amputation Saws .....	1
Orthopedic Instruments > Bone Mallets Hand Drills .....	2
Orthopedic Instruments > Bone Cutters .....	3
Orthopedic Instruments > Bone Holding Forceps .....	4
Orthopedic Instruments > Wire Cutting Pliers .....	5
Orthopedic Instruments > Bone Pliers Wire Holders .....	6
Orthopedic Instruments > Wire Extension Drill Chucks .....	8

**Orthopedic Instruments > Amputation Saws**


EI-4000

 Satterlee Amputation Saw Complete With  
Saw Blade Size : 29cm


EI-4001

 Satterlee Amputation Saw Complete With  
Saw Blade Size : 35cm


EI-4002

 Satterlee Amputation Saw Complete With  
Saw Blade Size : 40.5cm


EI-4003

 Satterlee Amputation Saw Complete With  
Saw Blade Size : 24cm


EI-4004

 Satterlee Amputation Saw Complete With  
Saw Blade Size : 42.5cm


EI-4005

 Percy Amputation Shield Detachable Size  
: Standard

Orthopedic Instruments > Bone Mallets Hand Drills



EI-4018

Mallets With Interchangeable Plastic Disks Size : Dia 25mm, 18.5cm



EI-4019

Mallet lead filled head Size : Dia 22mm, 19cm



EI-4020

Mallet Wagner With Fibre Handle 360g Size : 23.5cm



EI-4021

Mallet Cottle 240g 1 Side Flat, 1 Side Convex Size : 30mm, 18.5cm



EI-4022

Hudson Hand Drill Complete Set Size : 27cm



EI-4023

Hand drill universal with key Size : 28cm

Orthopedic Instruments > Bone Cutters



EI-4006

Kazanjian Cutters Size : 18.5cm



EI-4007

Liston Cutter Size : 14cm, 17cm, 20cm, 22cm



EI-4008

Bohler Cutters Size: 14.5cm



EI-4009

Liston Cutters Straight Size : 28cm



EI-4010

Liston Cutters Straight Size : 28cm



EI-4011

Bolt Cutters For Wire up to 3mm and Head Screw, Size : 32cm

Orthopedic Instruments > Bone Holding Forceps



EI-4012

Dingman Bone Holding Forceps Size : 18.5cm



EI-4013

Langenbeck Bone Holding Forceps Size : 20.5cm



EI-4014

Farabeuf Bone Holding Forceps Size : 25.5cm



EI-4015

Bone Holding Forceps Size : 14.5cm, 19cm, 24cm, 26cm, 28cm



EI-4016

Verbrugge Bone Holding Forceps Size : 17.5cm



EI-4017

Lowmann Bone Holding Forceps Size : 17cm, 20.5cm

Orthopedic Instruments > Wire Cutting Pliers



EI-4030

Harvey Wire Cutting Scissors  
12.5cm



EI-4031

Wire Cutting Scissors Size :  
12cm



EI-4030

Harvey Wire Cutting Scissors  
12.5cm



EI-4032

Harvey Wire Cutting Scissors  
12cm



EI-4034

Wire Cutting Pliers Size :  
15cm

Orthopedic Instruments > Bone Pliers Wire Holders



EI-4024

Wire Holding Pliers Size :  
16cm





EI-4025

Wire Holding Pliers with serrated jaws, Size : 17cm



EI-4026

Serrated Size : 19cm



EI-4027

Flat Nosed Pliers Size : 18.5cm



EI-4028

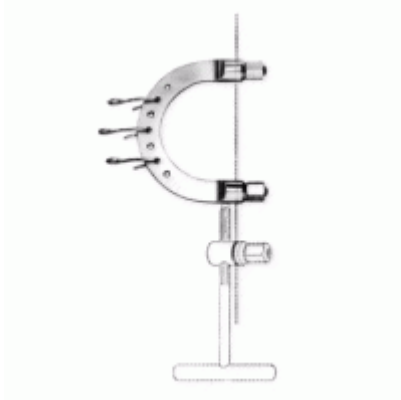
Vise Grip Pliers Size : 20cm



EI-4029

Vise Grip Pliers Size : 20cm

Orthopedic Instruments > Wire Extension Drill Chucks



EI-4036

Kirschner Wire Extension



EI-4037

Wire Extension 60 - 220mm  
Length 17cm



EI-4039

Schwarz Wire Extension



EI-4040

Bohler Wire Extension Size :  
160mm - 90mm, 210mm -  
110mm, 210mm - 150mm



EI-4041

Wire Extension Size : 18.5cm,  
27cm



EI-4042

Reill Drilling Chucks Size :  
11.5cm



EI-4043

Drill Chucks Size : 14cm



EI-4043

Drill Chucks



EI-4044

Drill Chucks



EI-4045

Drill Chucks With key Size :  
16cm